

SLA

FACTORY ACTIVATED

SLA | READY TO START

REF BB7-A



12v VOLTAGE - v

120A CCA - A (EN)

8.4Ah CAPACITY - Ah (20Hr)

8Ah CAPACITY - Ah (10Hr)

TECHNOLOGY

- Designed according to AGM technology (Absorbed acid)
- VRLA battery type
- Activated and pre-charged batteries
- Homologated by OEM

FEATURES

- AGM construction (Absorbed Glass Material)
- VRLA battery (Valve Regulated Lead Acid)
- Factory activated
- Environmentally friendly, spillproof design
- Multi-positional fitment
- Absolutely Maintenance free
- Sealed, no gas emission through venting hole (under normal operation)
- Ready & Easy to use
- No acid handling - Very safe
- Increased power & Extended life
- Extreme vibration resistance

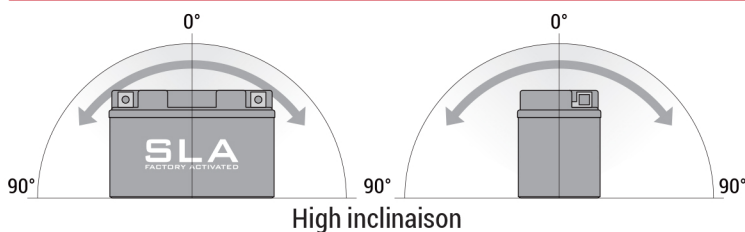
UPGRADE FOR

-

WEIGHT

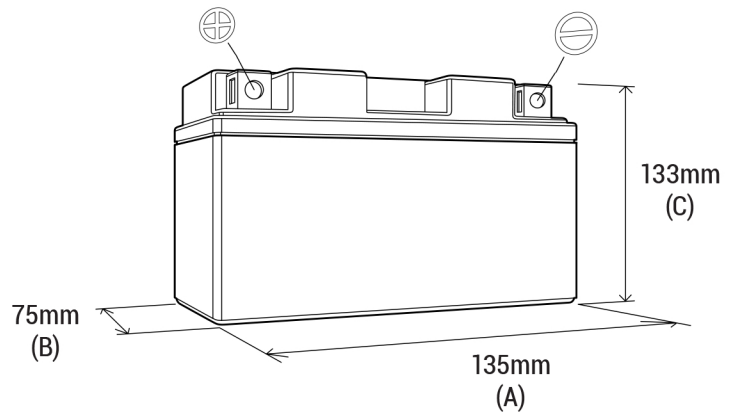
Battery (with acid): Approx 2.90kg

MOUNTING ANGLE

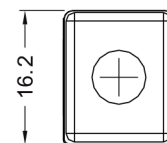


DIMENSIONS

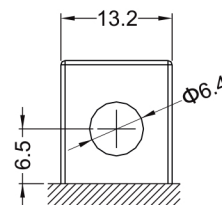
Length (A): 135mm ±2mm
 Width (B): 75mm ±2mm
 Container height: 133mm ±2mm
 Total height (C): 133mm ±2mm



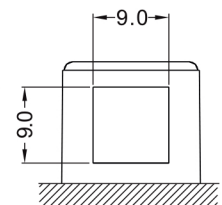
TERMINALS (mm)



TOP



FRONT



SIDE